

Item No.: 12013003

Solar Ground Mounting Structure
-Ground Screw (double poles)
Wind load: 30m/s~55m/s

➤ **Design criterion**

Basic Wind Pressure: 0.5-0.8 KN/m²

Panel size: 1650x992 mm 2x10 Portrait

Covered area : 3.6X10.3 M²

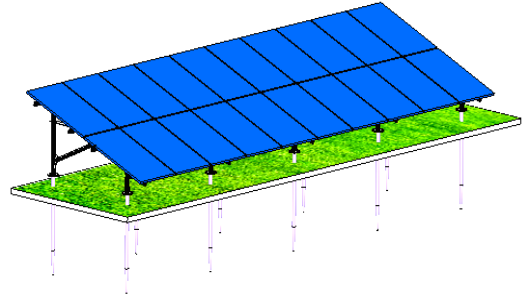
➤ **Product Introduction**

Product Material: Q235 (Hot-galvanized steel, thickness70um)

Fasten Material: Stainless steel (SS304)

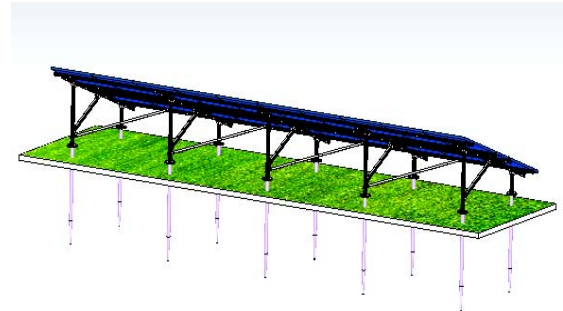
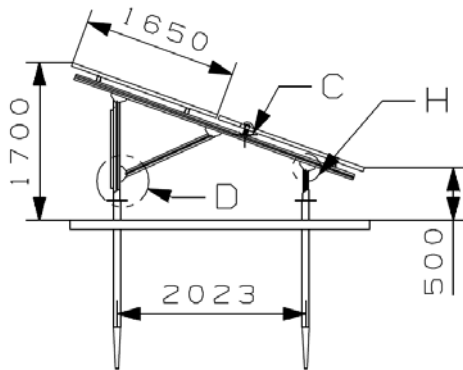
Angle: 15~45 degree

The distance from lowest point of panel to ground:
300↔500 mm

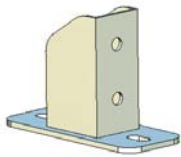


➤ **Product Characteristic**

- Double poles
- With strength
- ✧ Be suitable to ground power plant
- ✧ Piles fit for kinds of soils
- ✧ The installation time of ground screw is short.
- ✧ With distance from ground to the lowest point of panel.



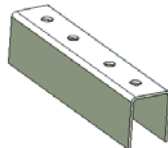
➤ **Components**



Foot fastener



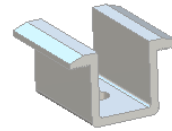
triangle fastener



rail connector



Square nut



Upper clamp



End clamp

Room 1005, No. 939 JinQiao Road, Pudong, Shanghai China 200136

Tel: 61600231, 61600232, 61600233

Email: christina.rao@frontierack.com

www.frontierack.com